

Cat. No. / No de cat.  
**MXF DH2528H**

## **MX FUEL™ 28 MM HEX BREAKER**



**WARNING** To reduce the risk of injury, user must read and understand operator's manual.

## GENERAL POWER TOOL SAFETY WARNINGS

**WARNING** Read all safety warnings, instructions, illustrations and specifications provided with this power tool. Failure to follow all instructions listed below may result in electric shock, fire and/or serious injury. **Save all warnings and instructions for future reference.** The term "power tool" in the warnings refers to your mains-operated (corded) power tool or battery-operated (cordless) power tool.

### WORK AREA SAFETY

- **Keep work area clean and well lit.** Cluttered or dark areas invite accidents.
- **Do not operate power tools in explosive atmospheres, such as in the presence of flammable liquids, gases or dust.** Power tools create sparks which may ignite the dust or fumes.
- **Keep children and bystanders away while operating a power tool.** Distractions can cause you to lose control.

### ELECTRICAL SAFETY

- **Power tool plugs must match the outlet. Never modify the plug in any way. Do not use any adapter plugs with earthed (grounded) power tools.** Unmodified plugs and matching outlets will reduce risk of electric shock.
- **Avoid body contact with earthed or grounded surfaces, such as pipes, radiators, ranges and refrigerators.** There is an increased risk of electric shock if your body is earthed or grounded.
- **Do not expose power tools to rain or wet conditions.** Water entering a power tool will increase the risk of electric shock.
- **Do not abuse the cord. Never use the cord for carrying, pulling or unplugging the power tool. Keep cord away from heat, oil, sharp edges or moving parts.** Damaged or entangled cords increase the risk of electric shock.
- **When operating a power tool outdoors, use an extension cord suitable for outdoor use.** Use of a cord suitable for outdoor use reduces the risk of electric shock.
- **If operating a power tool in a damp location is unavoidable, use a residual current device (RCD) protected supply.** Use of an RCD reduces the risk of electric shock.

### PERSONAL SAFETY

- **Stay alert, watch what you are doing and use common sense when operating a power tool. Do not use a power tool while you are tired or under the influence of drugs, alcohol or medication.** A moment of inattention while operating power tools may result in serious personal injury.
- **Use personal protective equipment. Always wear eye protection.** Protective equipment such as a dust mask, non-skid safety shoes, hard hat or hearing protection used for appropriate conditions will reduce personal injuries.
- **Prevent unintentional starting. Ensure the switch is in the off-position before connecting to power source and/or battery pack, picking up or carrying the tool.** Carrying power tools with your finger on the switch or energizing power tools that have the switch on invites accidents.

- **Remove any adjusting key or wrench before turning the power tool on.** A wrench or a key left attached to a rotating part of the power tool may result in personal injury.
- **Do not overreach. Keep proper footing and balance at all times.** This enables better control of the power tool in unexpected situations.
- **Dress properly. Do not wear loose clothing or jewelry. Keep your hair and clothing away from moving parts.** Loose clothes, jewelry or long hair can be caught in moving parts.
- **If devices are provided for the connection of dust extraction and collection facilities, ensure these are connected and properly used.** Use of dust collection can reduce dust-related hazards.
- **Do not let familiarity gained from frequent use of tools allow you to become complacent and ignore tool safety principles.** A careless action can cause severe injury within a fraction of a second.

### POWER TOOL USE AND CARE

- **Do not force the power tool. Use the correct power tool for your application.** The correct power tool will do the job better and safer at the rate for which it was designed.
- **Do not use the power tool if the switch does not turn it on and off.** Any power tool that cannot be controlled with the switch is dangerous and must be repaired.
- **Disconnect the plug from the power source and/or remove the battery pack, if detachable, from the power tool before making any adjustments, changing accessories, or storing power tools.** Such preventive safety measures reduce the risk of starting the power tool accidentally.
- **Store idle power tools out of the reach of children and do not allow persons unfamiliar with the power tool or these instructions to operate the power tool.** Power tools are dangerous in the hands of untrained users.
- **Maintain power tools and accessories. Check for misalignment or binding of moving parts, breakage of parts and any other condition that may affect the power tool's operation. If damaged, have the power tool repaired before use.** Many accidents are caused by poorly maintained power tools.
- **Keep cutting tools sharp and clean.** Properly maintained cutting tools with sharp cutting edges are less likely to bind and are easier to control.
- **Use the power tool, accessories and tool bits etc. in accordance with these instructions, taking into account the working conditions and the work to be performed.** Use of the power tool for operations different from those intended could result in a hazardous situation.
- **Keep handles and grasping surfaces dry, clean and free from oil and grease.** Slippery handles and grasping surfaces do not allow for safe handling and control of the tool in unexpected situations.

### BATTERY TOOL USE AND CARE

- **Recharge only with the charger specified by the manufacturer.** A charger that is suitable for one type of battery pack may create a risk of fire when used with another battery pack.
- **Use power tools only with specifically designated battery packs.** Use of any other battery packs may create a risk of injury and fire.

- **When battery pack is not in use, keep it away from other metal objects, like paper clips, coins, keys, nails, screws or other small metal objects, that can make a connection from one terminal to another.** Shorting the battery terminals together may cause burns or a fire.
- **Under abusive conditions, liquid may be ejected from the battery; avoid contact. If contact accidentally occurs, flush with water. If liquid contacts eyes, additionally seek medical help.** Liquid ejected from the battery may cause irritation or burns.
- **Do not use a battery pack or tool that is damaged or modified.** Damaged or modified batteries may exhibit unpredictable behavior resulting in fire, explosion or risk of injury.
- **Do not expose a battery pack or tool to fire or excessive temperature.** Exposure to fire or temperature above 130°C (265°F) may cause explosion.
- **Follow all charging instructions and do not charge the battery pack or tool outside the temperature range specified in the instructions.** Charging improperly or at temperatures outside the specified range may damage the battery and increase the risk of fire.

### SERVICE

- **Have your power tool serviced by a qualified repair person using only identical replacement parts.** This will ensure that the safety of the power tool is maintained.
- **Never service damaged battery packs.** Service of battery packs should only be performed by the manufacturer or authorized service providers.

### SPECIFIC SAFETY RULES FOR BREAKERS

- **Wear ear protectors.** Exposure to noise can cause hearing loss.
- **Use auxiliary handle(s), if supplied with the tool.** Loss of control can cause personal injury.
- **Hold power tool by insulated gripping surfaces, when performing an operation where the cutting accessory may contact hidden wiring.** Cutting accessory contacting a "live" wire may make exposed metal parts of the power tool "live" and could give the operator an electric shock.

### ADDITIONAL SPECIFIC SAFETY RULES

- **WARNING** To reduce the risk of injury when working in dusty situations, wear appropriate respiratory protection or use a suitable dust extraction solution.
- **Wear personal protective equipment. Depending on application, use face shield, safety goggles or safety glasses. As appropriate, wear dust mask, hearing protectors, gloves and shop apron capable of stopping small abrasive or workpiece fragments.** The eye protection must be capable of stopping flying debris generated by various operations. The dust mask or respirator must be capable of filtering particles generated by your operation. Prolonged exposure to high intensity noise may cause hearing loss.
- **Keep hands away from all cutting edges and moving parts.**
- **Do not touch chisels with bare hands immediately after use; they may be hot and could burn skin.**

- **Never lay the tool down until the accessory has come to a complete stop.** The accessory may grab the surface and pull the power tool out of your control.
- **After changing the chisels or making any adjustments, make sure all adjustment devices are securely tightened.** Loose adjustment devices can unexpectedly shift, causing loss of control, loose components will be violently thrown.
- **Always use common sense and be cautious when using tools.** It is not possible to anticipate every situation that could result in a dangerous outcome. Do not use this tool if you do not understand these operating instructions or you feel the work is beyond your capability; contact MILWAUKEE® Tool or a trained professional for additional information or training.
- **Maintain labels and nameplates.** These carry important information. If unreadable or missing, contact a MILWAUKEE® service facility for a replacement.

**WARNING** Some dust created by power sanding, sawing, grinding, drilling, and other construction activities contains chemicals known to cause cancer, birth defects or other reproductive harm. Some examples of these chemicals are:

- lead from lead-based paint
- crystalline silica from bricks and cement and other masonry products, and
- arsenic and chromium from chemically-treated lumber.

Your risk from these exposures varies, depending on how often you do this type of work. To reduce your exposure to these chemicals: work in a well ventilated area, and work with approved safety equipment, such as those dust masks that are specially designed to filter out microscopic particles.

### SYMBOLGY



Volts



Direct Current

n XXXX min<sup>-1</sup> Blows per Minute Under Load (BPM)



**CAUTION** Risk of Electric Shock



Read operator's manual



Always wear eye protection. Use appropriate hearing and respiratory protection.

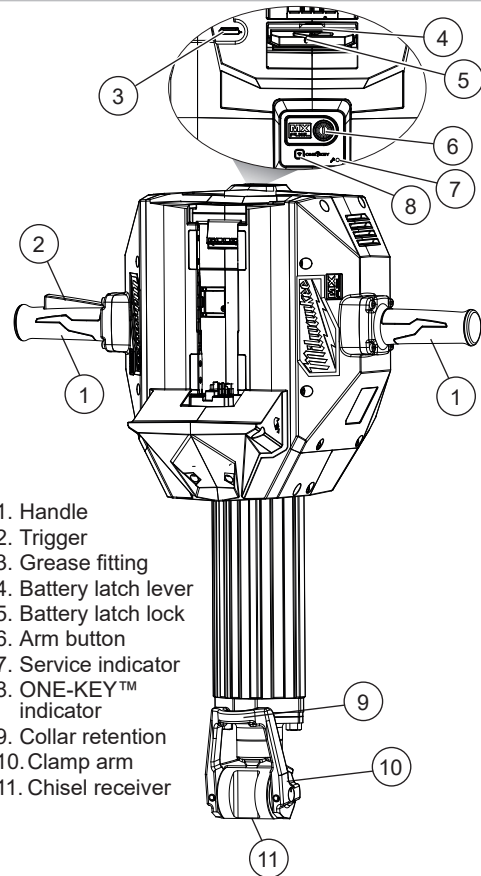


Regulatory Compliance Mark (RCM). Product meets applicable regulatory requirements.

### SPECIFICATIONS

Cat. No. ....MXF DH2528H  
 Battery Type ..... MX FUEL™  
 Charger Type ..... MX FUEL™  
 No Load BPM ..... 1300  
 Shank type ..... 28 mm Hex  
 Grease ..... Gadus S3 V220C 2  
 Weight (without battery or chisel) ..... 24.3 kg  
 Recommended Ambient  
 Operating Temperature ..... -17°C to 51°C (0°F to 125°F)

## FUNCTIONAL DESCRIPTION



1. Handle
2. Trigger
3. Grease fitting
4. Battery latch lever
5. Battery latch lock
6. Arm button
7. Service indicator
8. ONE-KEY™ indicator
9. Collar retention
10. Clamp arm
11. Chisel receiver

## ASSEMBLY

**⚠WARNING** Recharge only with the charger specified for the battery. For specific charging instructions, read the operator's manual supplied with your charger and battery.

### Removing/Inserting the Battery

To **remove** the battery, push the battery latch to the side and squeeze the battery latch lever. Pull the battery pack away from the machine.

**⚠WARNING** Always remove battery pack before changing or removing accessories.

To **insert** the battery, slide the pack into the body of the machine. Make sure it latches securely into place.

**⚠WARNING** Only use accessories specifically recommended for this machine. Others may be hazardous.

### Attaching the Handles

The handles must be attached to the machine before use.

**NOTE:** The handles will only fit correctly in the proper orientation. Do not force the handles into place.

1. Remove the plastic protective layer from trigger handle position.

2. Line up the trigger handle with the install position on the right side of the machine. The trigger will face upwards.

3. Attach the second handle onto the left side of the machine.

4. Use the 4 bolts to secure the handles. Hand tighten securely with the 4 mm hex wrench provided.

**⚠WARNING** To reduce the risk of injury, use only specifically recommended MILWAUKEE® hammer chisels. Others may damage machine.

Use the correct chisel retention method for the chisel. The incorrect method will not hold the chisel securely.

### Installing Chisels

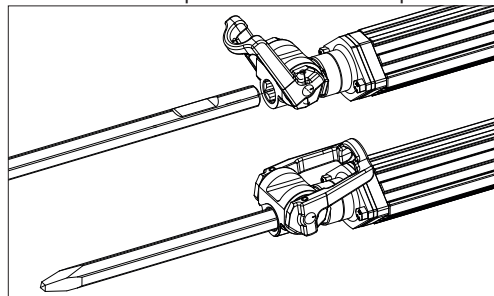
Always clean and grease the chisel shank before inserting the chisel into the machine. Always select the correct chisel for the job.

Inspect chisels before use - chisels must be in good working condition. Through normal use, the shank of the chisel can "mushroom" over and cause the chisel to become stuck inside the hammer. **WARNING!** Do not use shanks that have been "mushroomed" or damaged. If the shank starts to "mushroom", have the chisel refurbished or replaced.

	<b>Pointed Chisel</b> -For demolition work and starting holes in concrete slabs.
	<b>Flat Chisel</b> -For edging, chipping or channeling.
	<b>Spade Chisel</b> -For demolition work and starting holes in concrete slabs.
	<b>Asphalt Chisel</b> -For cutting through and lifting asphalt.
	<b>Tamping Plate/Mounting Shank</b> -For compacting soil, gravel, asphalt, etc.

### Installing Straight Chisels

1. Clean and grease the shank.
2. Rotate the clamp arm to the unlocked position.



3. Insert the chisel into the nose of the machine. The notched flat on the shank must face toward the clamp arm, as shown.

4. Rotate the clamp arm to the locked position.

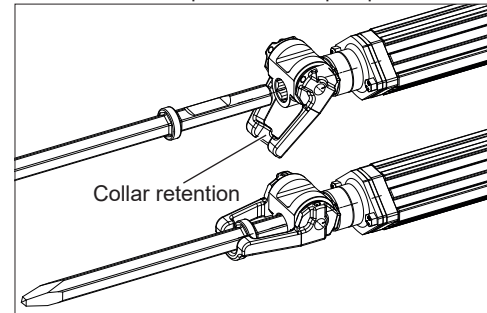
5. Pull on the chisel to verify that it is locked into place.

6. To **remove**, rotate the clamp arm and remove the chisel.

**NOTE:** Use caution when handling hot chisels.

### Installing Collared Chisels

1. Clean and grease the shank.
2. Rotate the clamp arm to the open position.



3. Insert the chisel into the nose of the machine.

4. Rotate the clamp arm to secure the collar retention around the shank, as shown.

5. Pull on the chisel to verify that it is held in place.

6. To **remove**, rotate the clamp arm and remove the chisel.

**NOTE:** Use caution when handling hot chisels.

### Transporting

(Accessory Breaker Cart)

**⚠WARNING** To reduce the risk of injury, strap securely before transporting. Remove chisels from machine before placing on cart. Insert cart post into chisel receiver. Do not lift/hoist loaded cart.

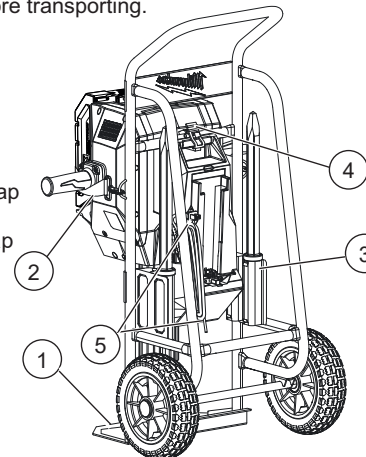
Use the accessory Breaker Cart to transport the Breaker.

1. Remove the chisel from the machine before placing the breaker on the cart.

2. Slide the chisel receiver over the cart post.

3. Secure with belt. **WARNING!** Always secure with belt before transporting.

1. Cart
2. Strap
3. Chisel storage
4. Charger hook/strap
5. Charger cord wrap



**ONE-KEY™**  
To learn more about the ONE-KEY™ functionality for this machine, please reference the Quick Start guide included with this machine or go to [milwaukeeetool.com/One-Key](http://milwaukeeetool.com/One-Key). To download the ONE-KEY™ app, visit the App Store or Google Play from your smart device.

### ONE-KEY™ Indicator

Solid Blue	Wireless mode is active and ready to be configured via the ONE-KEY™ app.
Blinking Blue	Machine is actively communicating with the ONE-KEY™ app.
Blinking Red	Machine is in security lockout and can be unlocked by the owner via the ONE-KEY™ app.

## OPERATION

**⚠WARNING** To reduce the risk of injury, always wear proper eye protection marked to comply with ANSI Z87.1.

When working in dusty situations, wear appropriate respiratory protection or use a suitable dust extraction solution.

### Arming the Machine

The MX FUEL™ machines must be armed prior to use. Even with the battery pack inserted, the trigger and machine functions will not operate until the machine is armed.

To arm the machine:

1. Insert the battery pack.
2. Press the Arm button. The MX FUEL™ icon will light. The trigger will become armed in 2 seconds.
3. After 15 minutes of inactivity, the machine will enter sleep mode. The MX FUEL™ icon will go off and the trigger and LEDs are un-operational.
4. Press and hold the Arm button for 1 second to reactivate the machine.
5. Press and hold the ARM button for 1 second to unarm (turn off) the machine. The MX FUEL™ icon will go off.

### Starting and Stopping

1. Insert the chisel.
2. Position the machine on the workpiece.
3. Press the arm button.
4. Grasp both handles firmly and pull the trigger. Always hold the machine securely using two handles and maintain control.
5. Use only enough pressure to hold the machine in place, engage the hammering mechanism, and prevent the tip of the chisel from wandering. This machine has been designed to achieve top performance with only moderate pressure. Excessive force reduces the vibration dampening. **NOTE:** To engage the hammering mechanism, maintain pressure on the chisel. When pressure is released, hammering stops.
6. When chiseling or chipping, hold the machine at an angle to the work area. For best performance, work from a corner or close the edge of the work and break off a small area at a time.
7. To stop the machine, release the trigger. Make sure the machine comes to a complete stop before laying the machine down.
8. Press the arm button to turn off the machine.



- If a hammer iron gets stuck:
  - Turn off the machine and remove the battery pack.
  - Rotate the clamp to the unlocked position.
  - Pull the machine off of the stuck accessory.
  - Remove the accessory from the workpiece.

### Hammering

A new hammer requires a break-in period before reaching full performance. This period may require up to 15 minutes of operation. If the machine is stored for a long period of time or at cold temperatures, the lubrication may become stiff and the machine may not hammer initially or the hammering may be weak. If this happens:

- Insert a chisel into the machine.
- Run the machine against a scrap piece of concrete.
- Pull and release the trigger every few seconds. After 15 seconds to 2 minutes, the machine will start hammering normally. The colder the hammer is, the longer it will take to warm up.

### MAINTENANCE

**WARNING** To reduce the risk of injury, always unplug the charger and remove the battery pack from the charger or machine before performing any maintenance. Never disassemble the machine, battery pack or charger. Contact a MILWAUKEE® service facility for ALL repairs.

#### Maintaining Machine

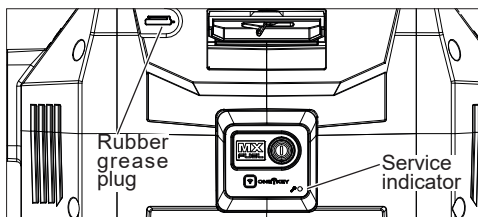
Keep your machine, battery pack and charger in good repair by adopting a regular maintenance program. Inspect your machine for issues such as undue noise, misalignment or binding of moving parts, breakage of parts, or any other condition that may affect the machine operation. Return the machine, battery pack, and charger to a MILWAUKEE® service facility for repair. After six months to one year, depending on use, return the machine, battery pack and charger to a MILWAUKEE® service facility for inspection.

If the machine does not start or operate at full power with a fully charged battery pack, clean the contacts on the battery pack. If the machine still does not work properly, return the machine, charger and battery pack, to a MILWAUKEE® service facility for repairs.

#### Grease

When the service indicator lights, add grease to the machine. To add grease:

- Remove the battery pack.
- Remove the rubber grease cover.
- Attach a grease gun to the Zerk fitting. Add 20 g of Shell Gadus S3 V220C 2 grease.
- Remove the grease gun and replace the rubber grease cover.
- Wipe any excess grease from the housing.
- To reset the service indicator:
  - Insert the battery pack.
  - Press the Arm button 3 times quickly.
  - The service light will begin to blink.
  - Press and hold the Arm button until service light goes off.



### ONE-KEY™

**WARNING** Chemical Burn Hazard. This device contains a lithium button/coin cell battery. A new or used battery can cause severe internal burns and lead to death in as little as 2 hours if swallowed or enters the body. Always secure the battery cover. If it does not close securely, stop using the device, remove the batteries, and keep it away from children. If you think batteries may have been swallowed or entered the body, seek immediate medical attention.



#### Internal Battery

An internal battery is used to facilitate full ONE-KEY™ functionality.

To replace the battery:

- Remove the battery pack.
- Remove the screw(s) and open the battery door.
- Remove the old battery, keep it away from children, and dispose of it properly.
- Insert the new battery (3V CR2032), with the positive side facing up.
- Close the battery door and tighten the screw securely.

**WARNING** To reduce the risk of personal injury and damage, never immerse your machine, battery pack or charger in liquid or allow a liquid to flow inside them.

#### Cleaning

Clean dust and debris from vents. Keep handles clean, dry and free of oil or grease. Use only mild soap and a damp cloth to clean, since certain cleaning agents and solvents are harmful to plastics and other insulated parts. Some of these include gasoline, turpentine, lacquer thinner, paint thinner, chlorinated cleaning solvents, ammonia and household detergents containing ammonia. Never use flammable or combustible solvents around machines.

#### Cleaning the Battery and Battery Bay

Keep battery connections and surfaces between the machine and battery free of debris and materials. Failure to keep surfaces clean may result in misalignment and/or damage to the battery connection.

#### Repairs

For repairs, return the machine, battery pack and charger to the nearest service center.

### ACCESSORIES

**WARNING** Use only recommended accessories. Others may be hazardous.

For a complete listing of accessories, go online to [www.milwaukeetool.com.au](http://www.milwaukeetool.com.au) / [www.milwaukeetool.co.nz](http://www.milwaukeetool.co.nz) or contact a distributor.

### WARRANTY - AUSTRALIA and NEW ZEALAND

Please refer to Australian and New Zealand warranty supplied with tool. This warranty applies only to product sold in Australia and New Zealand.

### SERVICE - AUSTRALIA and NEW ZEALAND

MILWAUKEE® prides itself in producing a premium quality product that is Nothing But Heavy Duty™. Your satisfaction with our products is very important to us! If you encounter any problems with the operation of this tool, please contact your authorised MILWAUKEE® dealer.

For a list of MILWAUKEE® dealers, guarantee or service agents please contact MILWAUKEE® Customer Service or visit our website.

(Australia Toll Free Telephone Number 1300 645 928)

(New Zealand Toll Free Telephone Number 0800 645 928)

or visit [milwaukeetool.com.au/milwaukeetool.co.nz](http://milwaukeetool.com.au/milwaukeetool.co.nz).

#### Milwaukee Electric Tool Corporation

13135 West Lisbon Road, Brookfield, Wisconsin U.S.A. 53005

#### Milwaukee Tool (Australia)

21 Kelletts Road, Rowville, VIC 3178  
Melbourne, Australia

#### Milwaukee Tool (New Zealand)

274 Church Street, Penrose,  
Auckland, 1061, New Zealand

